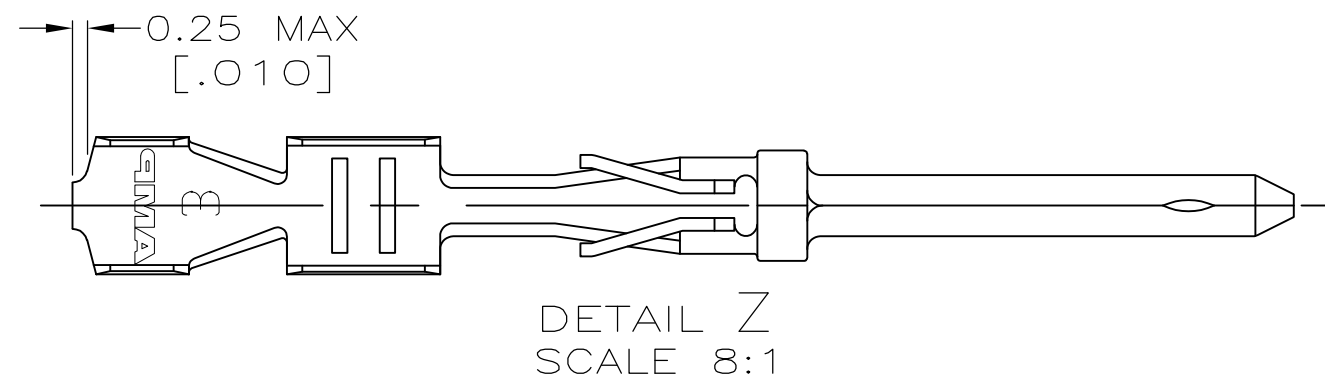
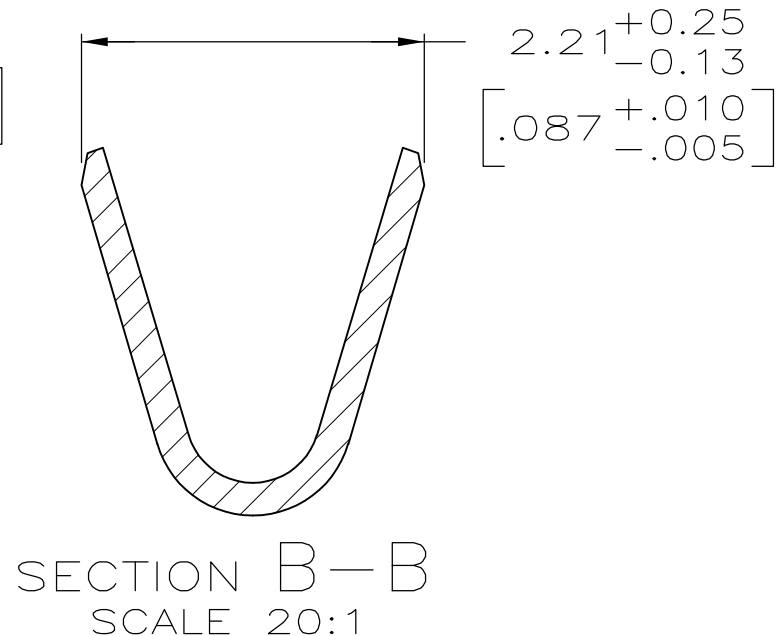
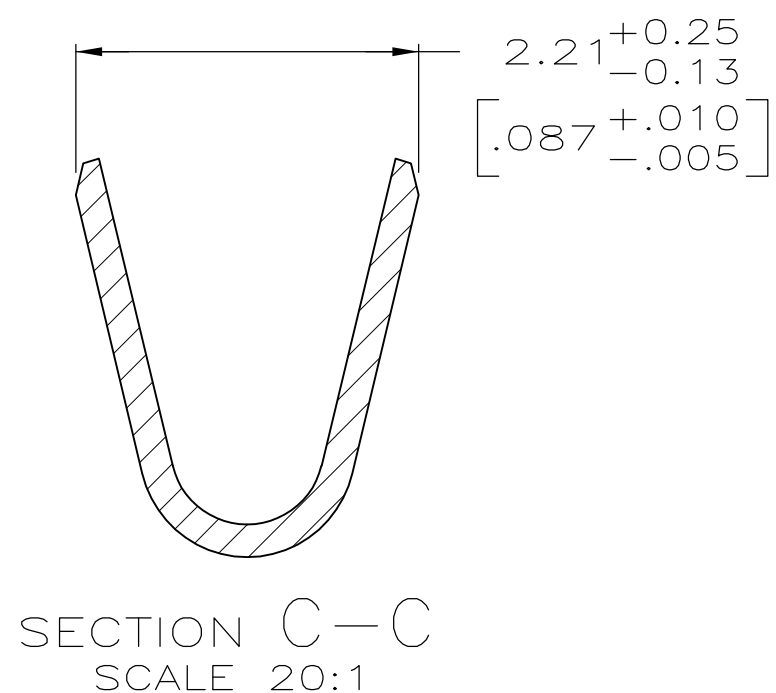
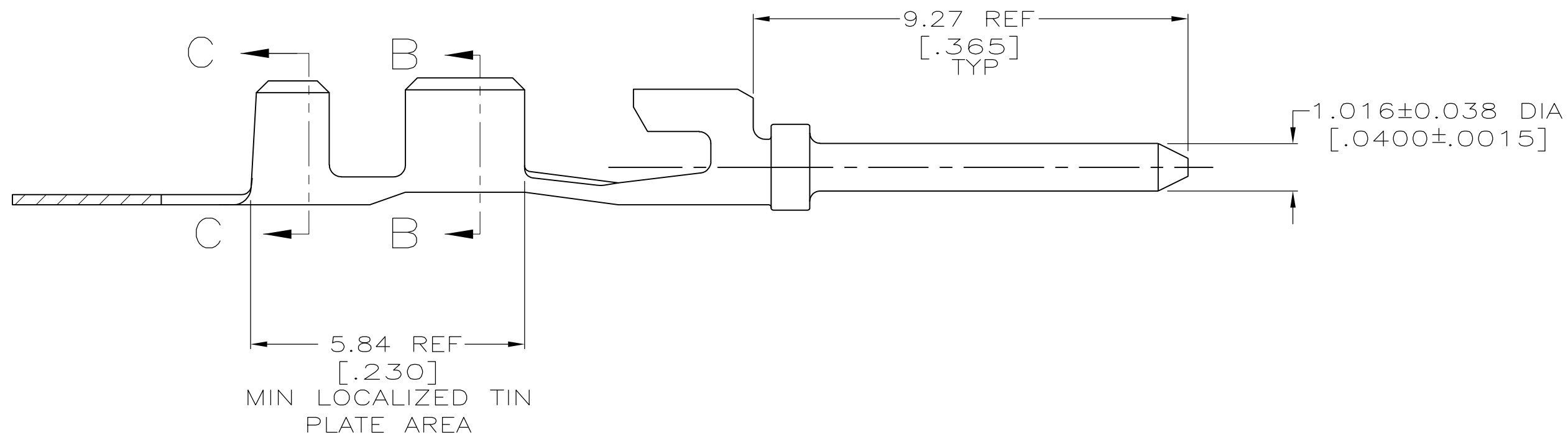
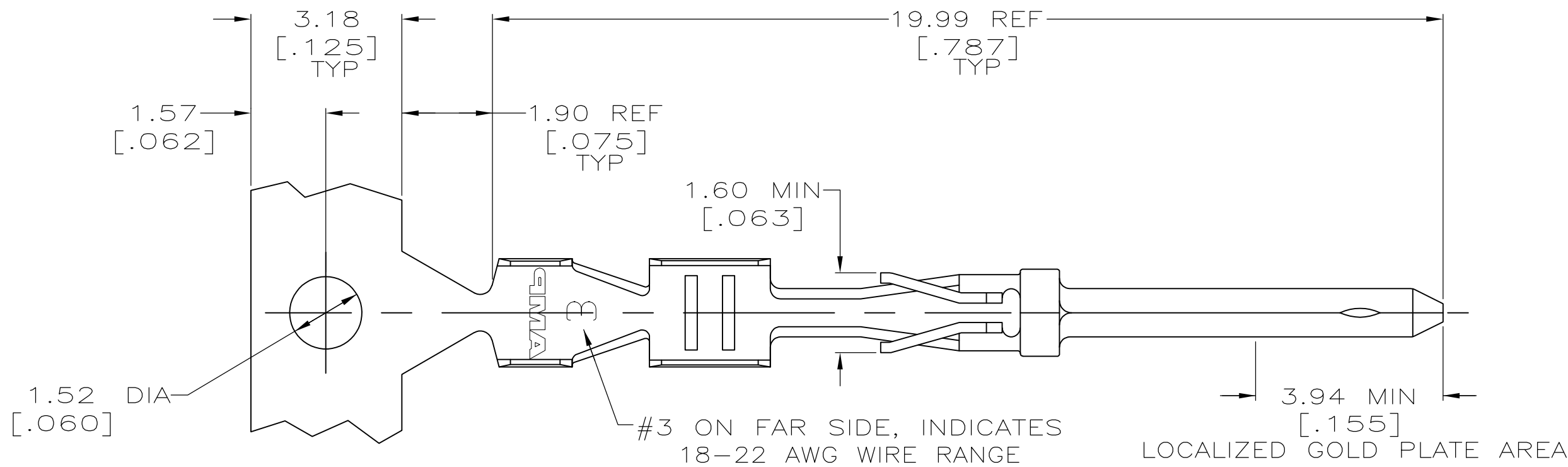


THIS DRAWING IS UNPUBLISHED. RELEASED FOR PUBLICATION
 © COPYRIGHT BY TYCO ELECTRONICS CORPORATION. ALL INTERNATIONAL RIGHTS RESERVED.

| LOC | | DIST | | REVISIONS | | | |
|-----|-----|-------------|---------------------------|-----------|------|------|--|
| P | LTR | DESCRIPTION | | DATE | DWN | APVD | |
| GP | 00 | N | REVISED PER ECO-08-008114 | 1JUL2008 | ZMRC | CWR | |



- 1 GOLD PLATING PER MIL-G-45204, TIN PLATING PER MIL-T-10727, NICKEL PLATING PER QQ-N-290.
- 2 GOLD PLATED IN LOCALIZED GOLD PLATE AREA, 0.76µm [.000030] MIN GOLD IN MATED AREA, 2.54µm [.000100] MIN BRIGHT TIN OR BRIGHT TIN-LEAD IN MIN LOCALIZED TIN PLATE AREA, ALL OVER 1.27µm [.000050] MIN NICKEL.
- 3 GOLD PLATED IN LOCALIZED GOLD PLATE AREA, GOLD FLASH IN MATED AREA, 2.54µm [.000100] MIN BRIGHT TIN OR BRIGHT TIN-LEAD IN MIN LOCALIZED TIN PLATE AREA, ALL OVER 0.76µm [.000030] MIN NICKEL.
- 4 GOLD PLATED IN LOCALIZED GOLD PLATE AREA, 0.76µm [.000030] MIN GOLD IN MATED AREA, 2.54µm [.000100] MIN MATTE TIN IN LOCALIZED TIN PLATE AREA, ALL OVER 1.27µm [.000050] MIN NICKEL UNDERPLATE.
OR
GOLD PLATED IN LOCALIZED GOLD PLATE AREA, GOLD FLASH OVER PALLADIUM-NICKEL, 0.76µm [.000030] MIN TOTAL IN MATED AREA, 2.54µm [.000100] MIN MATTE TIN IN LOCALIZED TIN PLATE AREA, ALL OVER 1.27µm [.000050] MIN NICKEL UNDERPLATE.
- 5 PHOSPHOR BRONZE PER QQ-B-750.



| | | | |
|------------------------|--------|-------------|------------|
| SUPERSEDED BY 745267-3 | 4 | - | 1-745267-0 |
| SUPERSEDED BY 745267-2 | - | DETAIL Z | 745267-9 |
| OBSOLETE | 3 | DETAIL Z | 745267-8 |
| OBSOLETE | 3 | - | 745267-7 |
| SUPERSEDED BY 745267-7 | - | DETAIL Z | 745267-6 |
| SUPERSEDED BY 745267-6 | - | - | 745267-5 |
| OBSOLETE | 2 | DETAIL Z | 745267-4 |
| OBSOLETE | 2 | - | 745267-3 |
| | | | 745267-2 |
| | FINISH | LOOSE PIECE | PART NO |

| | | | | |
|--|--------------------|--------------------------------|---|--|
| THIS DRAWING IS A CONTROLLED DOCUMENT. | | DWN L. VARELA - DOCK5 11-15-04 | Tyco Electronics Corporation Harrisburg, PA 17105-3608 | |
| DIMENSIONS: mm [INCHES] | | CHK J. GERACE 11-15-04 | NAME CONTACT PIN, OPEN BARREL, #18-22, HDE-20, AMPLIMITE | |
| TOLERANCES UNLESS OTHERWISE SPECIFIED: | | APVD M. WALMSLEY 11-15-04 | SIZE A2 CAGE CODE 00779 C=745267 | |
| 0 PLC ± - | 1 PLC ± - | PRODUCT SPEC 108-40011 | DRAWING NO - | |
| 2 PLC ± 0.13 [.005] | 3 PLC ± - | APPLICATION SPEC 114-40003 | RESTRICTED TO - | |
| 4 PLC ± - | ANGLES ± - | WEIGHT - | SCALE 10:1 SHEET 1 of 1 REV N | |
| MATERIAL 5 | FINISH 1 SEE TABLE | CUSTOMER DRAWING | | |